

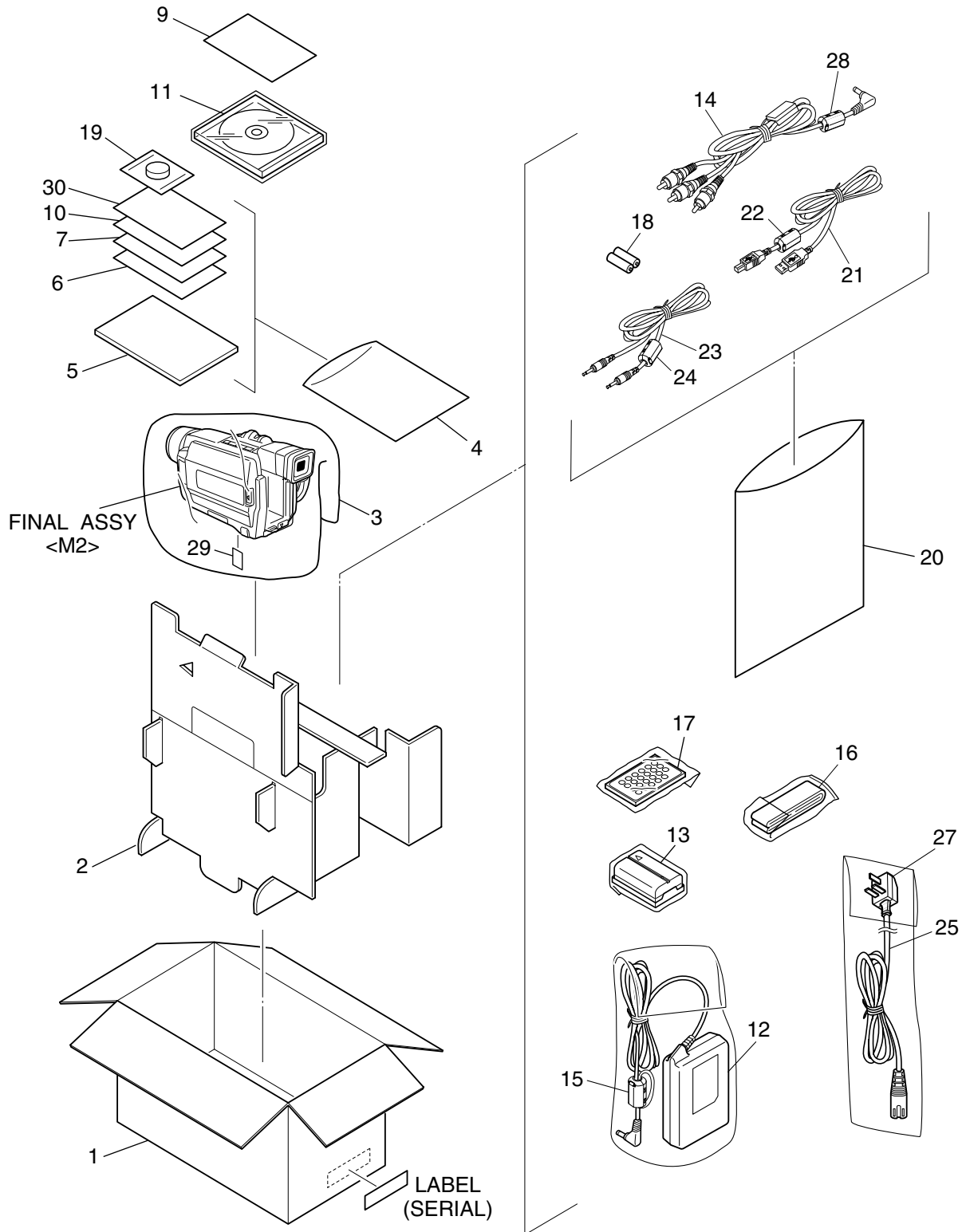
SECTION 5 PARTS LIST

SAFETY PRECAUTION

Parts identified by the  symbol are critical for safety. Replace only with specified part numbers.

5.1 PACKING AND ACCESSORY ASSEMBLY <M1>

The instruction manual to be provided with this product will differ according to the destination.



△ REF No. PART No. PART NAME, DESCRIPTION

PACKING AND ACCESSORY ASSEMBLY <M1>

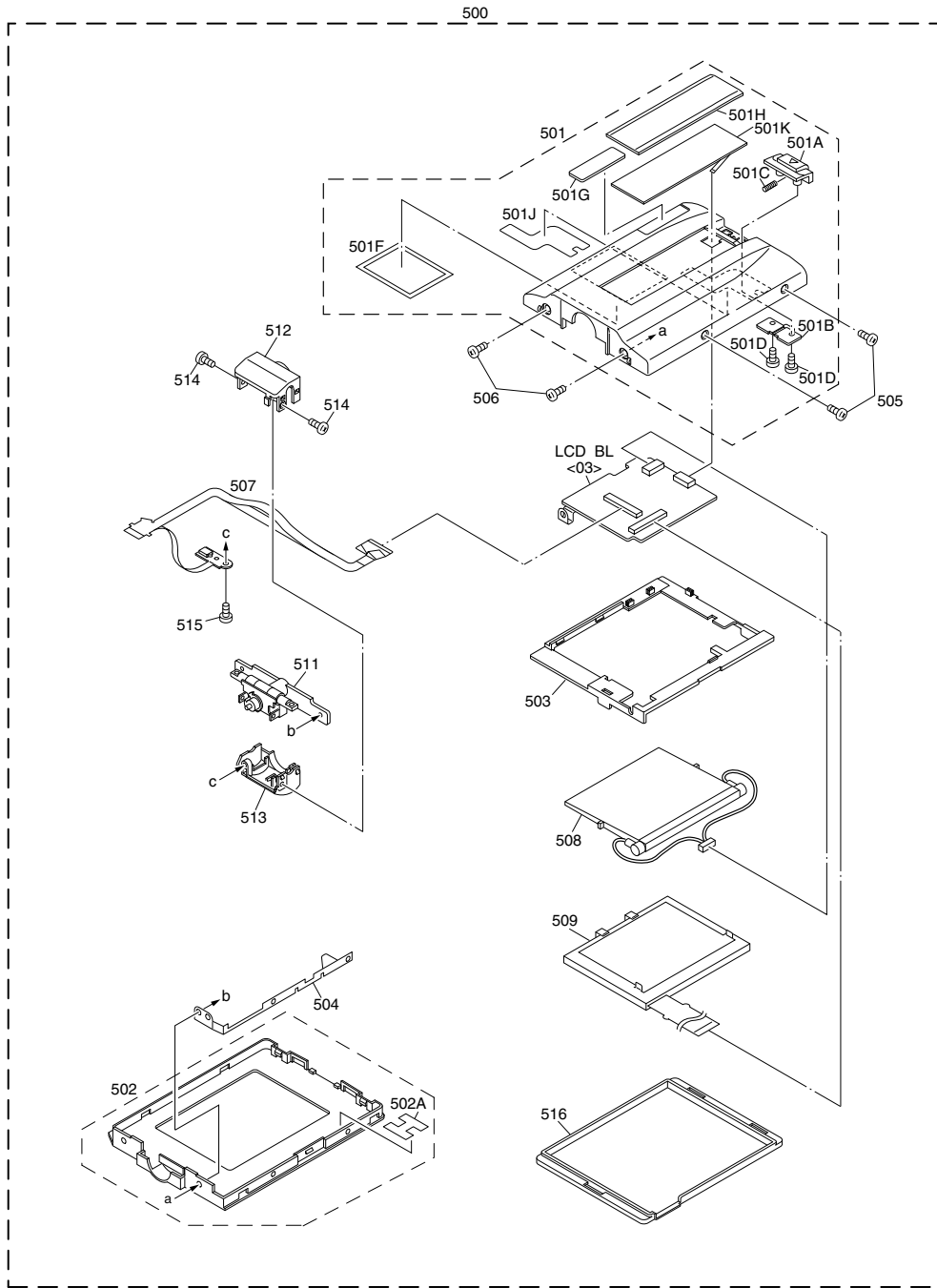
- 1 LY32095-014B PACKING CASE,A
- LY32095-015B PACKING CASE,B
- LY32095-016B PACKING CASE,C
- LY32095-020B PACKING CASE,D,E
- LY32095-021B PACKING CASE,F
- LY32095-022B PACKING CASE,G
- 2 LY32096-001A CUSHION,D,E,F,G
- LY32345-001A CUSHION,A,B,C
- 3 LY30023-008A POLY BAG
- 4 QPA02003006 POLY BAG
- △ 5 LYT0750-001A INST.BOOK(EN),A,B,C
- △ LYT0750-002A INST.BOOK(CH),A,B,C
- △ LYT0798-001A INST.BOOK(EN),D,E,F,G
- △ LYT0798-002A INST.BOOK(CH),D,E,F,G
- △ LYT0798-003A INST.BOOK(RU),D,F,G
- △ 6 LYT0769-001A INST.BOOK(SOFT.EN.CH),A,B,C,E
- △ LYT0832-001A INST.BOOK(SOFT.3LANG),D,F,G
- 7 LYT0378-003A SHEET(AGREMENT)
- 9 BT-59011-2 WARRANTY CARD,A,B,C,D,F,G
- 10 BT-59012-1 GUARANTY CARD,A,B,C,D,F,G
- 11 LY32210-003B CD ROM
- △ 12 LY20688-003A AC ADAPTER,AP-V10SH,E
- △ LY20688-015A AC ADAPTER,AP-V10ED,A,B,C,D,F,G
- △ 13 LY31587-001A BATTERY PACK,BN-V408U
- 14 QAM0212-001 CABLE ASSY,AUDIO/VIDEO CABLE
- 15 QQR0490-002 CORE FILTER
- 16 LY20186-001A SHOULDER STRAP
- 17 LY20750-001A REMOTE CONTROL UNIT,RM-V717U,D,E,F,G
- YQ20922R REMOTE CONTROL UNIT,RM-V711U,A,B,C
- 18 — BATTERY,AAA(R03),X2,D,E,F,G
- 19 PECA0903 LI BATTERY,A,B,C
- 20 QPA01703005 POLY BAG,A,B,C,E,F,G
- QPGA017-03005 POLY BAG,D
- 21 QAM0324-001 USB CABLE
- 22 QQR0918-002 CORE FILTER
- 23 PEAC0428-150 CABLE ASSY,EDITING CABLE
- 24 QQR0491-002 CORE FILTER
- △ 25 QMPL120-190-JR POWER CORD,E
- △ QMPS120-190-JR POWER CORD,A,B,C,D,F,G
- △ 27 QAM0001-001 CONVERSION PLUG,E
- 28 QQR0918-002 CORE FILTER
- 29 QAM0262-002 MEMORY CARD
- 30 LYT0162-025A ACC.LEAFLET,F

| MODEL | MARK |
|--------------|------|
| GR-DVL515ED | A |
| GR-DVL715ED | B |
| GR-DVL915ED | C |
| GR-DVL610A-C | D |
| GR-DVL610SH | E |
| GR-DVL710A-C | F |
| GR-DVL810A-C | G |

• INSTRUCTIONS

- EN ENGLISH
- CH CHINESE
- RU RUSSIAN

5.2 MONITOR ASSEMBLY <M5> [GR-DVL715ED, 710A-C]



△ REF No. PART No. PART NAME, DESCRIPTION

MONITOR ASSEMBLY <M5>

| # | △ | REF No. | PART No. | PART NAME, DESCRIPTION |
|---|------|---------------|----------|------------------------|
| △ | 500 | LYH20246-006A | | MONITOR ASSY |
| △ | 501 | LY20721-002B | | MONITOR COVER(3.5)ASSY |
| | 501A | LY31620-001A | | KNOB(LOCK 1) |
| | 501B | LY42180-001A | | KNOB(LOCK 2) |
| | 501C | LY30002-044A | | COMPRESSION SPRING |
| | 501D | LY30018-011A | | SPECIAL SCREW,X2 |
| | 501F | LY40559-001A | | SHIELD SHEET |
| | 501G | LY42883-001A | | MARK |
| | 501H | LY32121-002B | | WINDOW |
| | 501J | LY42386-001A | | EARTH MON |
| | 501K | LY42193-001A | | EL(WINDOW) |

| # | △ | REF No. | PART No. | PART NAME, DESCRIPTION |
|---|------|--------------|----------|------------------------|
| | 502 | LY20598-001A | | MONITOR CASE ASSY |
| | 502A | LY42388-001A | | EARTH MON(2) |
| | 503 | LY20567-001A | | HOLDER(3PWB) |
| | 504 | LY31622-001A | | BRACKET(EARTH) |
| | 505 | QYSPST1730R | | SCREW,X2 |
| | 506 | QYSLSP2040D | | SCREW,X2 |
| | 507 | LY31743-001A | | MONITOR FPC ASSY |
| | 508 | QLL0094-001 | | BACK LIGHT |
| | 509 | QLD0118-001 | | LCD MODULE |
| | 511 | LY32079-001A | | HINGE ASSY |
| | 512 | LY32088-001A | | HINGE COVER(1) |
| | 513 | LY32089-001A | | HINGE COVER(2) |
| | 514 | LY30018-058A | | SPECIAL SCREW,X2 |
| | 515 | LY30018-023A | | SPECIAL SCREW |
| | 516 | LY20566-001B | | HOLDER(3LCD) |